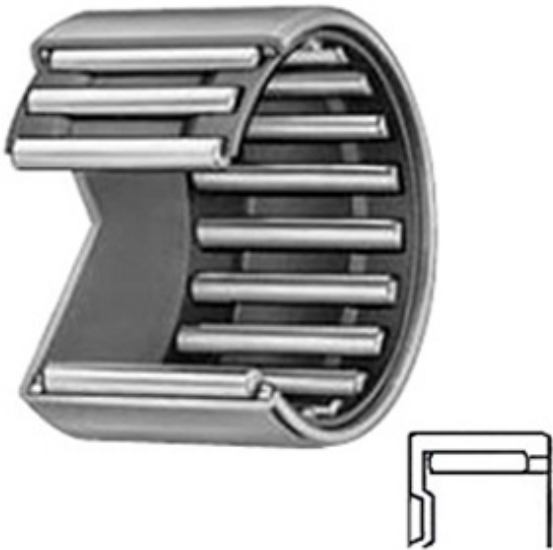




BEARING Material Product LIMITED



BK-6020 Bearing 2D drawings and 3D CAD models

2.362 Inch | 60 Millimeter x 2.677 Inch | 68 Millimeter x 0.787 Inch | 20 Millimeter
CONSOLIDATED BEARING BK-6020 Needle Non Thrust Roller Bearings

Bearing No. BK-6020

Category	Needle Non Thrust Roller Bearings
Inventory	0.0
Manufacturer Name	CONSOLIDATED BEARING
Minimum Buy Quantity	N/A
Weight	0.17
EAN	0644075004190
Product Group	B04144
Rolling Element	Needle Roller Bearing
Component	Roller Assembly with Outer Ring - No Inner Ring
Enclosure	Open
Self Aligning	No
Retainer	Yes
Number of Rows of Rollers	Single Row
Separable	No
Closed End	Yes
Inch - Metric	Metric
Relubricatable	No
Thrust Bearing	No
Long Description	60MM Bore; 68MM Outside Diameter; 20MM Width; Needle Roller Bearing; Roller Assembly with Outer Ring - No Inner



BEARING Material Product LIMITED

	Ring; Open Enclosure; No Self Aligning; Retainer; Single Row of Rollers; No Separable; C
Other Features	1 Rib Outer Ring Drawn Cup Bearing
Category	Needle Non Thrust Roller Bearing
UNSPSC	31171512
Harmonized Tariff Code	8482.40.00.00
Noun	Bearing
Keyword String	Needle
Manufacturer URL	http://www.consbrgs.com
Manufacturer Item Number	BK-6020
Weight / LBS	0.37
D	2.677 Inch 68 Millimeter
B	0.787 Inch 20 Millimeter
d	2.362 Inch 60 Millimeter